

21x14.5cm 70g模造紙，單色印刷

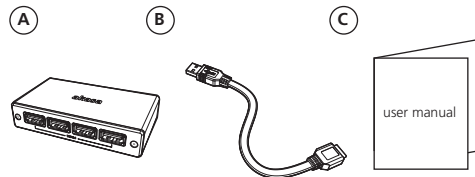
CONNECT4 **akasa**
four port
USB 3.0 hub

USER Manual **GB FR D PT ES JP CN**
 Product Code: AK-HB-10BK

AKASA Company Notices
 The information contained in this document is subject to change without notice. All rights reserved. Reproduction, adaptation, or translation of this material is prohibited without prior written permission of AKASA, except as allowed under copyright laws.
 The only warranties for AKASA products and services are set forth in the express warranty statements accompanying such products and services. Nothing herein should be construed as constituting an additional warranty. AKASA shall not be liable for technical or editorial errors or omissions contained herein.

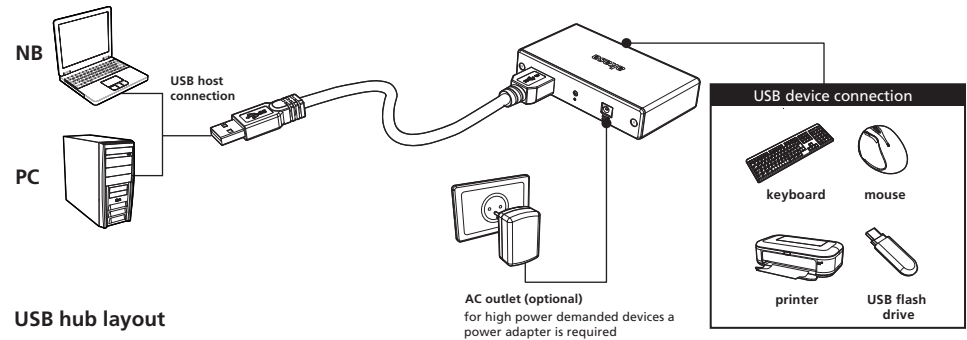
Acknowledgements
 Windows XP / VISTA / 7 / 8 are registered trademarks of Microsoft Corporation. Copyright 2013 AKASA ASIA Corporation. General Notice: Other product names used herein are for identification purposes only and may be trademarks of their respective owners. AKASA disclaims any and all rights in those marks.

Contents

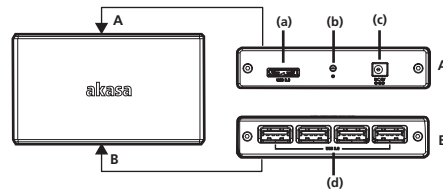


- GB **A** four port USB 3.0 hub **B** USB 3.0 cable **C** user manual
- FR **A** HUB USB 3.0 à quatre ports **B** Câble USB3.0 **C** manuel de l'utilisateur
- D **A** Vier-Port USB 3.0 HUB **B** USB3.0-Kabel **C** Bedienungsanleitung
- PT **A** HUB USB 3.0 quatro portas **B** cabo de dados USB3.0 **C** manual do usuário
- ES **A** HUB USB 3.0 de cuatro puertos **B** Cable USB3.0 **C** manual del usuario
- JP **A** 4ポート USB 3.0 ハブ **B** USB 3.0 ケーブル **C** 使用説明書
- CN **A** 四口USB3.0集线器 **B** USB 3.0 数据线 **C** 使用说明书

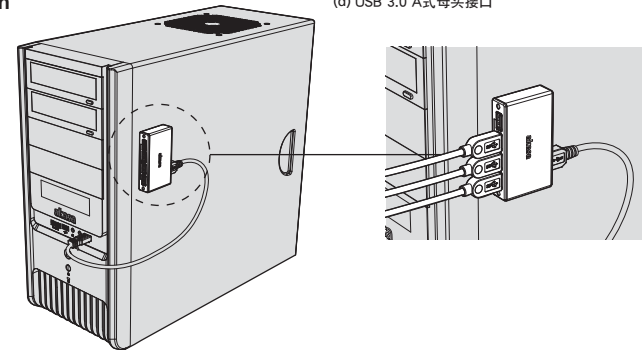
Installation



USB hub layout



Magnetic mounting base for easy and neat connection



- GB **(a)** micro B female USB 3.0 port **(b)** Power LED **(c)** DC 5V power input **(d)** type A female USB 3.0 ports
- FR **(a)** port USB 3.0 femelle micro B **(b)** LED d'alimentation **(c)** Entrée Alimentation 5V CC **(d)** ports USB 3.0 femelles de type A
- D **(a)** Mikro B USB 3.0 Port **(b)** Power-LED **(c)** DC 5V-Stromzufuhr **(d)** Typ A USB 3.0 Ports
- PT **(a)** Porta USB 3.0 micro B fêmea **(b)** LED de força **(c)** Entrada DC 5V **(d)** Porta USB 3.0 tipo A fêmea
- ES **(a)** puerto USB 3.0 micro B hembra **(b)** LED de alimentación **(c)** entrada 5V DC **(d)** puertos USB 3.0 tipo A hembra
- JP **(a)** Micro B Female USB 3.0 ポート **(b)** 電源 LED **(c)** DC 5V電源入力 **(d)** タイプ A Female USB 3.0 ポート
- CN **(a)** USB 3.0 micro B母头接口 **(b)** 电源 LED **(c)** 5V DC IN插孔 **(d)** USB 3.0 A式母头接口